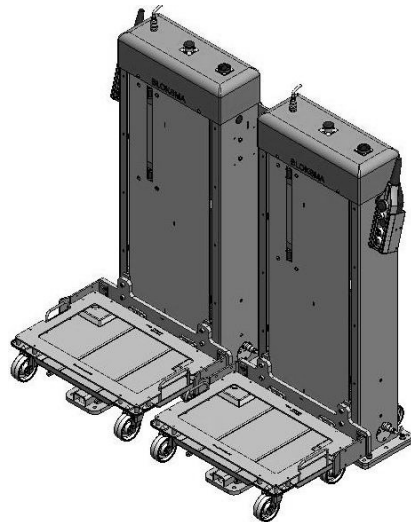
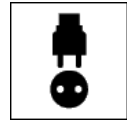


LIFTERS

Electric lifter HES-T

Tandem – Twin lifter
stationary / mobile



Item no. 201171

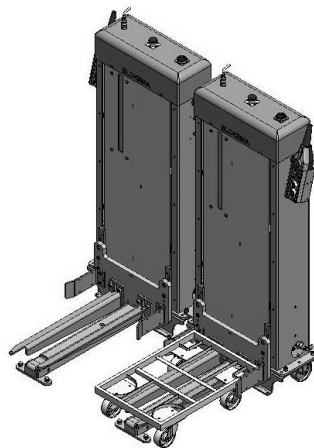
Suitable for Bloksma trolley
BOF + BOZ (see chapter TROLLEYS)

Designed for ergonomic working at
assembly work stations and machines

Various load capacities available

Standard control element
Hand lever on device
(Options see Overview CONTROL
ELEMENTS)

Options:
automatic height adjustment,
trolley load control etc.



Item no. 147827

Item no.	Load capacity per lifter	Size of trolley mm	Adaption of trolley / control element	Working height above floor level (GOK)
201171	200 kg each side	600 x 400 630 x 430	crossside BOF + BOZ stationary hand level on device	920 mm
147827	200 kg each side	600 x 400 630 x 430	lengthside BOF + BOZ stationary hand level on device	920 mm

Power demand: Pneumatic 6 bar

Other models / dimensions / loads as well as control elements on request.

The appearance of the device may deviate from the plotted models.